

# FRITZ HANSEN



PELAGUS  
PRODUCT FACT SHEET

# PELAGUS

Pelagus has a graceful contemporary expression that sits lightly in nature and holds its own in urban environments. The collection is high on comfort and versatility. It is furniture that suits a lifestyle as diverse as that lived in urban cosmopolitans or far from the city and grounded in nature.

## PRODUCT TYPE

Chair/Armchair  
Counter/Bar Stool  
Lounge chair  
Sunbed  
High table  
Table

## ENVIRONMENT

Outdoor

## DESIGNER

Note Design Studio

## MODELS

Chair  
Armchair  
Counter Stool  
Bar Stool  
Lounge Chair  
Sunbed  
Armrest  
High Table, 95  
High Table, 105  
Café Table  
Table, 75×75  
Table  
Extension Plate

## MATERIAL

Wood: Teak (Untreated)  
Textile: Sling  
Metal: Powder coated aluminium (Textured),  
Powder coated steel\* (Textured)

## FEATURES

- Chair: Stackable (up to 4 chairs)
- Armchair: Stackable (up to 2 chairs)
- Counter/Bar Stool: Stackable (up to 4 chairs)
- Sunbed: Wheels makes it easy to move around
- Sunbed: 5 reclining positions
- Armrest: Can be added to one or both sides of the Sunbed
- High/Café Table: Dual-purpose hook under tabletop for locking tables together and holding a small bag
- Table: Extendable (two extension plates can be added and stored on the frame underneath the tabletop when not in use, not included in the Table)
- Cushions (Please find further details on p. 7-9)

## COLOURS



LIGHT IVORY

HUNTER GREEN

## MADE-TO-ORDER

N/A

## CERTIFICATION

- FSC™ FSC-C120451: The wood used for Pelagus is FSC-certified (FSC 100%). The FSC-certification ensures the wood is from responsible and environmentally managed forests that preserve the natural surroundings and support the local community.

For more information about environment and manufacturing processes, please download our environmental information sheet at: [fritzhanzen.com](http://fritzhanzen.com)

## TEST

### Seating:

- EN 581-1: General Safety Requirements for outdoor furniture - Contract level
- EN 581-2: Mechanical Safety Requirements for outdoor seating furniture - Contract level
- ANSI/BIFMA X5.4-2020: Public and Lounge Seating

### Sunbed:

- EN 581-1: General Safety Requirements for outdoor furniture - Contract level
- EN 581-2: Mechanical Safety Requirements for outdoor seating furniture - Contract level

### Tables:

- EN 581-1: General Safety Requirements for outdoor furniture - Contract level
- EN 581-3: Mechanical Safety Requirements for outdoor tables - Contract level
- ANSI/BIFMA X5.5-2021: Desk and Table Products

## SPECIFICATIONS

### Wood:

New wooden, teak furniture has natural colour differences found in the freshly cut wood. Once the furniture has been exposed to the sun, these colour differences will even out. As a natural part of the aging process, the surface of teak will change when first being exposed to rain; this is the first stage of a process of wood that ages with beauty.

\*Apply to High Table, 95 / High Table, 105 / Café Table

**Metal:**

Aluminium is a lightweight, non-corrosive and recyclable metal that is both strong and flexible. Powder coating is used as a metal finish on the aluminium surface. The dry coating process whereby pigments are applied to metal surfaces is cured with heat for a durable, protective finish. Fritz Hansen uses powder coating on chairs, tables, shelving systems and other furniture items.

Stainless steel is a durable, corrosion-resistant metal known for its strength and flexibility, making it an ideal choice for outdoor furniture. A powder coating is applied to the stainless-steel surface through a dry coating process, where pigments are adhered to the metal with heat, creating a long-lasting, protective finish.

**Textile:**

Sling textile is a water-repellent textile with high UV resistance, which makes it a good choice for outdoor use. It is made of 100% Woven Vinyl-Coated Polyester and is therefore very durable in changing summer weather and keeps the furniture seat and back from sagging.

**WEIGHT**

- Chair: 5,1 kg / 11.2 lb
- Armchair: 6 kg / 13.1 lb
- Counter Stool: 5,7 kg / 12.6 lb
- Bar Stool: 6 kg / 13.2 lb
- Lounge Chair: 8,4 kg / 18.4 lb
- Sunbed: 17,2 kg / 37.8 lb
- Armrest: 18 kg / 39.7 lb
- High Table, 95: 10,1 kg / 22.3 lb
- High Table, 105: 10,3 kg / 22.7 lb
- Café Table: 9,6 kg / 21.2 lb
- Table, 75×75: 15,2 kg / 33.5 lb
- Table: 30 kg / 66.1 lb
- Extension Plate: 9,4 kg / 20.7 lb

**COUNTRY OF ORIGIN**

Wood origin: Indonesia

**PRE-ASSEMBLED**

- Chair: Yes
- Armchair: Yes
- Counter Stool: Yes
- Bar Stool: Yes
- Lounge Chair: Yes
- Sunbed: Yes
- Armrest: Yes, but needs to be mounted on sunbed
- High Table, 95: No
- High Table, 105: No
- Café Table: No
- Table, 75×75: No
- Table: No
- Extension Plate: Yes, but needs to be mounted on table

**PACKAGING**

The units are shipped in cardboard box. All packaging material can be recycled.

**CLEANING AND CARE**

Find recommendations for cleaning and care at: [fritzhansen.com/maintenance](https://fritzhansen.com/maintenance)

**REPAIR, DISPOSAL AND REUSE**

In case of repair and disposal the units can be disassembled into parts. All parts can be recycled. Check local regulations for recycling options and whether there is potential for reuse.

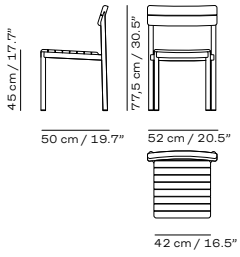
**WARRANTY**

Fritz Hansen provides a five-year warranty on standard products against defects in materials and workmanship.

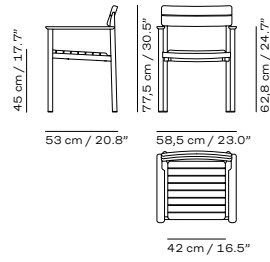
Additional warranty conditions can be found at: [fritzhansen.com/warranty](https://fritzhansen.com/warranty)

**DIMENSIONS**

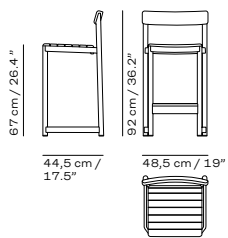
**CHAIR**



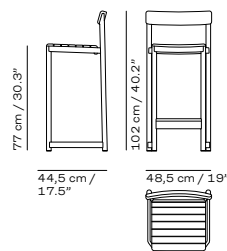
**ARMCHAIR**



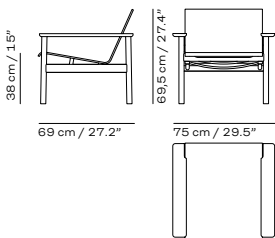
**COUNTER STOOL**



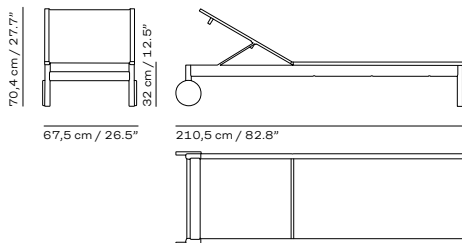
**BAR STOOL**



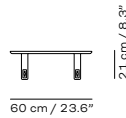
**LOUNGE CHAIR**



**SUNBED**

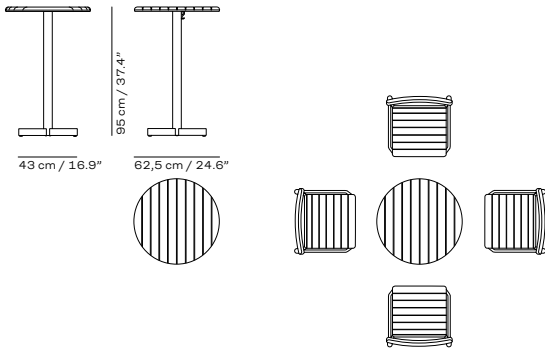


**ARMREST**

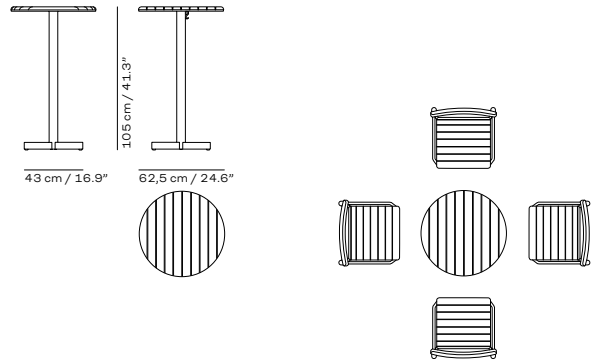


**DIMENSIONS**

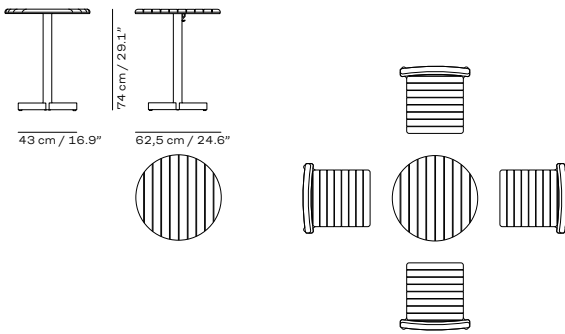
**HIGH TABLE, 95**



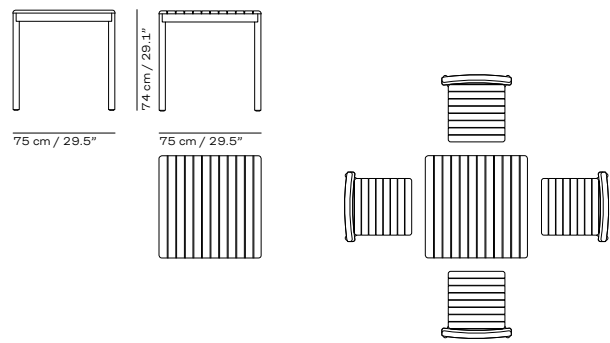
**HIGH TABLE, 105**



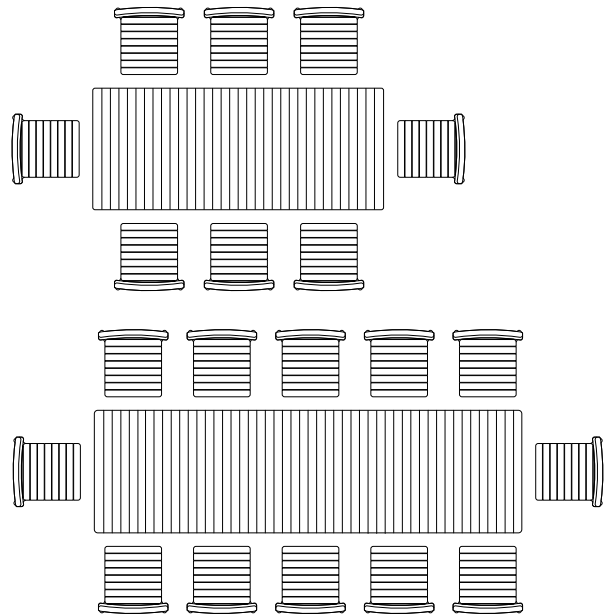
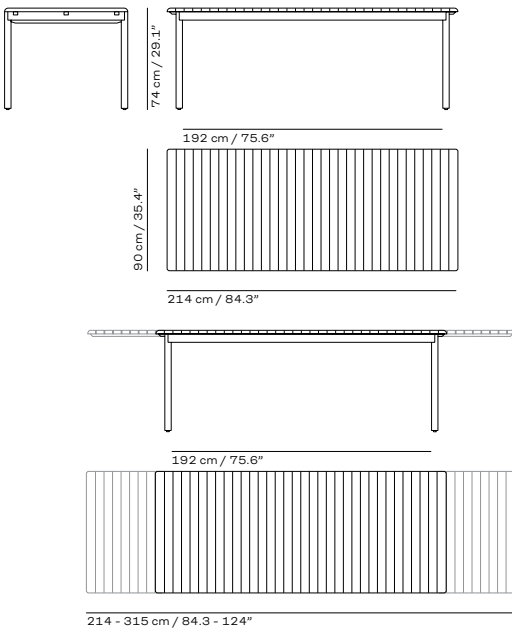
**CAFÉ TABLE**



**TABLE, 75X75**



**TABLE**



**EXTENSION PLATE**



**VARIANTS**

CHAIR



LIGHT IVORY  
1430054

CHAIR



HUNTER GREEN  
1430059

ARMCHAIR



LIGHT IVORY  
1430056

ARMCHAIR



HUNTER GREEN  
1430060

COUNTER STOOL



LIGHT IVORY  
1430066

COUNTER STOOL



HUNTER GREEN  
1430065

BAR STOOL



LIGHT IVORY  
1430068

BAR STOOL



HUNTER GREEN  
1430067

LOUNGE CHAIR



TEAK  
1430050

SUNBED



TEAK  
1430055

ARMREST



TEAK  
1430061

CAFÉ TABLE



LIGHT IVORY  
1430070

CAFÉ TABLE



HUNTER GREEN  
1430069

HIGH TABLE, 95



LIGHT IVORY  
1430072

HIGH TABLE, 95



HUNTER GREEN  
1430071

HIGH TABLE, 105



LIGHT IVORY  
1430074

HIGH TABLE, 105



HUNTER GREEN  
1430073

TABLE, 75×75



LIGHT IVORY  
1430063

TABLE, 75×75



HUNTER GREEN  
1430064

TABLE



LIGHT IVORY  
1430053

TABLE



HUNTER GREEN  
1430058

EXTENSION PLATE



TEAK  
1430062

# CUSHIONS

## DESCRIPTION

Add extra softness and comfort to the Pelagus series. Covered in a weatherproof and durable textile, the cushions are filled with a resilient quick-dry outdoor foam filling that provides firm and comfortable support that remains the same year after year.

## ENVIRONMENT

Outdoor

## DESIGNER

Note Design Studio

## MODELS

Armchair/Chair Cushion  
Counter/Bar Stool Cushion  
Lounge Chair Cushion  
Sunbed Cushion

## MATERIAL

Outdoor textile  
Quickdry outdoor foam

The cushion range for the UK/IE is different from the main collection in order to meet local fire regulations\*.

## UPHOLSTERY

The following selection of textiles\* is available:

### Stock Collection



HONEY YELLOW,  
LOPI

ASH,  
PANAMA

CHARCOAL,  
PANAMA

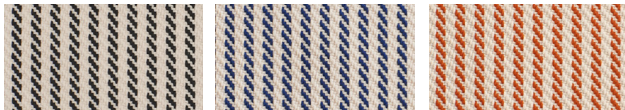
### MTO Collection



BLUE,  
BEATRICE

SAND,  
BEATRICE

BEIGE,  
SUMMERTIME



NERO,  
SUMMERTIME

NAVY,  
SUMMERTIME

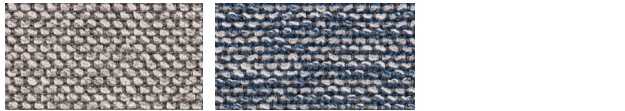
CLEMENTINE,  
SUMMERTIME



ICE,  
GAIÀ SUNSET

MARBLE,  
GAIÀ SUNSET

PAPYRUS,  
GAIÀ SUNSET



LIMESTONE,  
GAIÀ SUNSET

DENIM,  
GAIÀ SUNSET



## MADE-TO-ORDER (BESPOKE)

N/A

## CERTIFICATION

Textiles: OEKO-TEX® STANDARD 100.

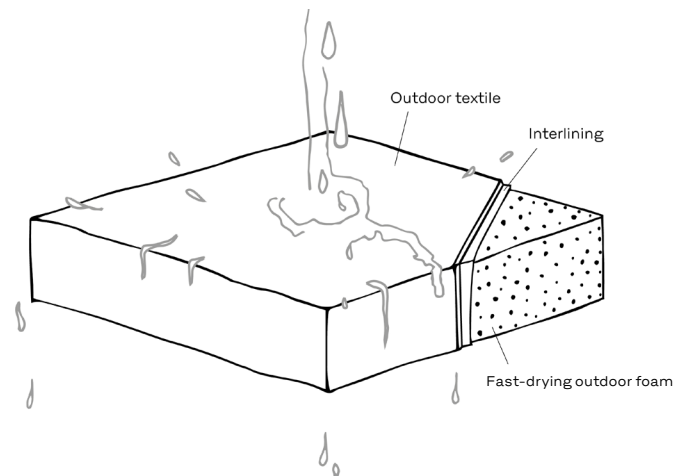
For more information about environment and manufacturing processes, please download our environmental information sheet at: [fritzhanzen.com](http://fritzhanzen.com)

## TEST

N/A

## SPECIFICATIONS\*

The fast-drying outdoor foam provides a firm and comfortable seat that retains its shape year after year. The open-cell structure allows both water and air to pass through ensuring the cushion dries exceptionally quickly, even after a heavy downpour. To ensure cushions remain beautiful over time, it is good practice to avoid them being left wet for prolonged periods, e.g., by turning them upright to let water run off or storing them in a dry environment.



\*For details specific to UK/IE go to p. 10.

## WEIGHT

Armchair/Chair Cushion:	0,4 kg / 0.8 lb
Counter/Bar Stool Cushion:	0,5 kg / 1.1 lb
Lounge Chair Cushion:	2,8 kg / 6.1 lb
Sunbed Cushion:	3,9 kg / 8.6 lb

## COUNTRY OF ORIGIN

Produced in: Spain

## PRE-ASSEMBLED

Yes

## PACKAGING

The units are wrapped in a plastic bag.  
All packaging material can be recycled.

## CLEANING AND CARE

Find recommendations for cleaning and care at:  
[fritzhansen.com/maintenance](http://fritzhansen.com/maintenance)

## REPAIR, DISPOSAL AND REUSE

In case of repair and disposal the units can be disassembled into parts. All parts can be recycled. Check local regulations for recycling options and whether there is potential for reuse.

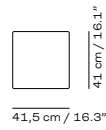
## WARRANTY

Fritz Hansen provides a five-year warranty on standard products against defects in materials and workmanship.

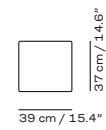
Additional warranty conditions can be found at:  
[fritzhansen.com/warranty](http://fritzhansen.com/warranty)

## DIMENSIONS

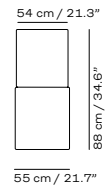
### ARMCHAIR/CHAIR CUSHION



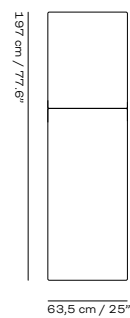
### COUNTER/BAR STOOL CUSHION



### LOUNGE CHAIR CUSHION



### SUNBED CUSHION



**VARIANTS\***

\*For details specific to UK/IE go to p. 10.

**ARMCHAIR/CHAIR CUSHION**



HONEY YELLOW  
1961055



CHARCOAL  
1961102



ASH  
1961105

**COUNTER/BAR STOOL CUSHION**



HONEY YELLOW  
1961275



CHARCOAL  
1961276



ASH  
1961277

**LOUNGE CHAIR CUSHION**



HONEY YELLOW  
1961054



CHARCOAL  
1961104



ASH  
1961107

**SUNBED CUSHION**



HONEY YELLOW  
1961056



CHARCOAL  
1961103



ASH  
1961106



BLUE  
1961369



SAND  
1961370



BEIGE  
1961365



BLUE  
1961350



SAND  
1961351



BEIGE  
1961346



NERO  
1961366



NAVY  
1961367



CLEMENTINE  
1961368



NERO  
1961347



NAVY  
1961348



CLEMENTINE  
1961349



ICE  
1961360



MARBLE  
1961361



PAPYRUS  
1961362



ICE  
1961341



MARBLE  
1961342



PAPYRUS  
1961343



LIMESTONE  
1961363



DENIM  
1961364



LIMESTONE  
1961344



DENIM  
1961345

## VARIANTS (UK/IE)

### Stock Collection:

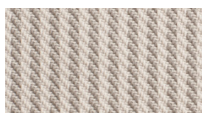


ASH,  
PANAMA



CHARCOAL,  
PANAMA

### MTO Collection\*:



BEIGE,  
SUMMERTIME



NERO,  
SUMMERTIME



NAVY,  
SUMMERTIME



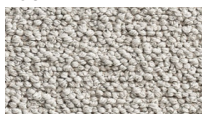
CLEMENTINE,  
SUMMERTIME



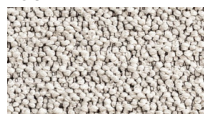
KAOLINO,  
BUCANEVE



NATURALE,  
BUCANEVE



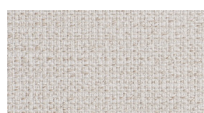
NATURALE,  
BUCANEVE



NOCE DI COCCO,  
BUCANEVE



DUNA,  
SALISGRANO



AVORIO,  
SALISGRANO



BIANCO,  
SALISGRANO



PERLA,  
SALISGRANO

### IMPORTANT NOTE!

Under current UK law, Fritz Hansen is not able to provide outdoor cushions and pillows with the same filling as the regular collection. We still offer cushions and pillows in an outdoor textile with weather-proof properties, but the filling is not weatherproof due to stringent (indoor) fire regulations. We therefore recommend that you bring cushions and pillows indoors in heavy rain and when they are not in use. The FR cold foam provides a firm and comfortable seat that retains its shape year after year. The FR cold foam is not weather resistant, and therefore it is recommended to store the cushions indoor when not in use and during heavy downpour. To ensure cushions remain beautiful over time, it is good practice to avoid them being left wet for prolonged periods, e.g., by turning them upright to let water run off or storing them in a dry environment.

\*Does only apply for Lounge Chair and Sunbed Cushion